

Drying cabinet

DC6-14 with heat pump

Drying Cabinets have no mechanical action and are used to efficiently dry bulky items such as workwear/overalls/gloves and boots or delicate items such as silk and linen



Priority on people

Ergonomic design, with user friendly positioning of door handle, control panel and suitable for disabled users

- Easy operation with 2 automatic drying programs, which will stop once the load is dry
- The control panel has Braille for the visually impaired
- Large doors and opening angles for easy access
- One extensible hanger for easy loading/unloading
- Hanging ability in the short end for smaller garments
- Flexible installation with adjustable feet



Long-term savings

By using a Drying Cabinet with a Heat Pump, not only can you avoid exhaust connection you can reach energy saving of 70% compared with an electric vented version. There are two options of heat pump version



Productivity

Time saving when used instead of flat or hang drying. The door can be opened a short moment without stopping the drying process

Safety

Option to activate child safety start lock



Main specifications		DC6-14
Rated capacity	kg	10
Evaporation*	g/min	80
Drying time cotton*	min	69
Heat pump	kW	2.6
Energy/load of linen	kWh/kg	0.22
Energy/water evaporated	kWh/l	0.40

* Mixed cotton load centrifuged to 55% residual moisture.

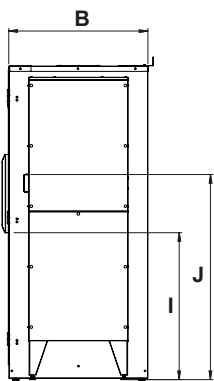
Electrical connection		DC6-14
Voltage		
400V 3N AC 50 Hz	kW(A)	2.6(10)
Sound level		
Pressure level*	dB(A)	<70
Weight		
	net, kg	250**
Dimensions in mm		
A	Width	1805
B	Depth	800
C	Height	1805
D		875
E		1560
F		900
G		2245
H		-
I		850
J		1180



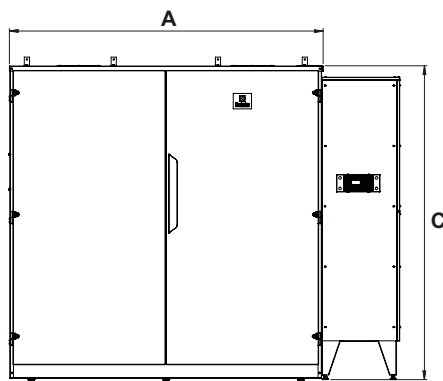
* Sound power levels measured according to ISO 60704

** Applies to assembled drying cabinets

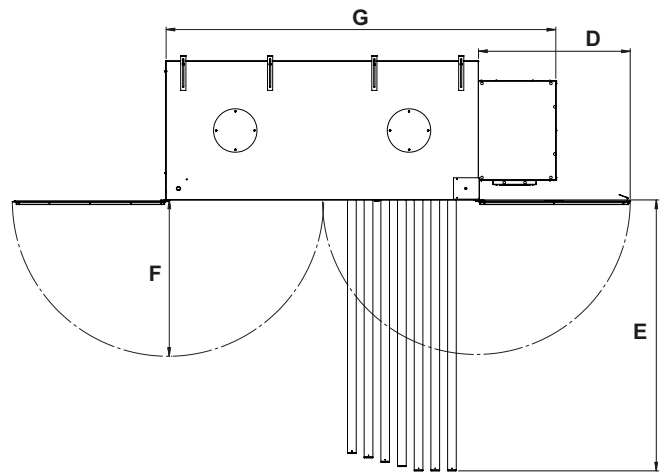
Colour of front and side panels is silver grey and handle is dark blue



Right side



Front



Top view