

Tumble dryer

TD6-24S



Dryer featuring exceptional savings and effortless use



Priority on people

Certified ergonomic design with a human-centered approach for an outstanding user experience

- Lint filter
The horizontal filter drawer is positioned for easy access and cleaning without the need to bend down
- Large door opening for easy loading and unloading
- Easy access to vital parts from front and rear for simple servicing
- Simple use operational panels with selection of temperature and time for easy operation and selection



Long-term savings

Innovative features to save money and time, and embrace a sustainable lifestyle with excellent water evaporation efficiency per kWh

- The coin version with Ecopower to avoid over drying of the garments and get a lower energy consumption



Pure control

Monitor your equipment and performance from anywhere, allowing to take action and to improve your business with OnE Laundry - the personal assistant for hygiene validation management, process management and revenue management (optional)



Outstanding productivity

Dry more laundry in less time: a game-changing improvement

- Reversing drum
Minimizes wrinkles and drying time to get an effective and even drying performance with 2 full loads per hour per pocket

Main options and accessories

- Payment: coinmeter with Ecopower
The coin version with Ecopower to avoid over drying of the garments and get a lower energy consumption
- Stainless steel drum, Stainless steel front



Images shown are a representation of the product only and variations may occur.

Main specifications**			TD6-24S
Rated capacity, filling factor 1:18		kg/lb	23.5/51.7
	filling factor 1:22	kg/lb	19.2/42.3
Drum volume		litre	423
Drum diameter		mm	832
Heating			
gas		BTU/h (kW)	94 000 (27.5)
Consumption data (filling factor 1:22)*			Gas
Total time		min	22
Energy consumption		kWh	10.2
Evaporation		g/min	440
Energy kWh/litre water evaporated		kWh/l	1.06
Max. pressure drop		Pa	520

* At rated capacity 100% cotton load at 50% initial moisture dried to 0%.
 ** Value per pocket

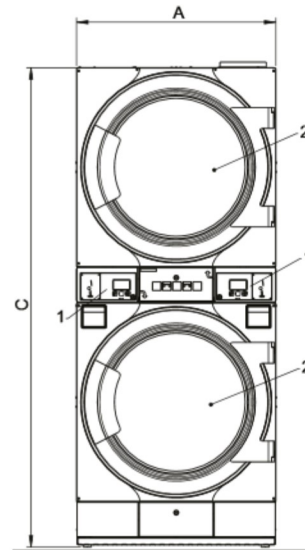
Electrical connections					
Heating alternative	Main voltage		Heating power kW	Total power kW	Recommended fuse A
	Hz				
Gas heated*	220-240V 1/1N -	50/60	-	3.0	16
	220-480V 3/3N -	50/60	-	3.0	10

* Complete machine.

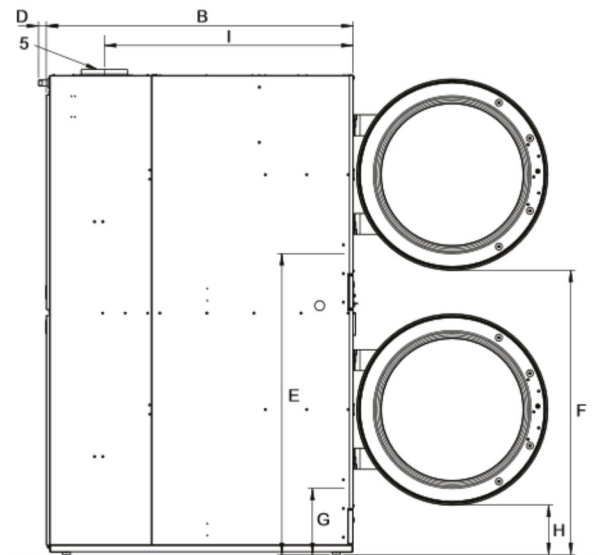
Gas and air connections			TD6-24S
Gas		ISO 7/1-R	3/4"
Gas pressure	Natural gas	Pa	2000-2500
		mbar	20-25
Propane		Pa	2800-5000
		mbar	28-50
Air outlet		ø mm	200
Evacuated air, gas		m ³ /h	1700
Pressure drop, gas		Max. Pa	520
Sound levels			
Sound power/pressure level at drying*		dB(A)	77/60
Heat emission			
% of installed power, max			15
Shipping data**			
	net, kg		440
	crated, m ³		2.8
Dimensions in mm			
A	Width		870
B	Depth		1335
C	Height		2085
D			35
E			1310
F			1240
G			290
H			215
I			1085
J			140
K			40
L			35
M			30
N1			110
N2			145
N3			190
O			815
P			2185
1	Operating panel		
2	Door opening ø 687 mm		
3	Electrical connection		
4	Gas connection		
5	Exhaust connection		

* Sound power levels measured according to ISO 60704.

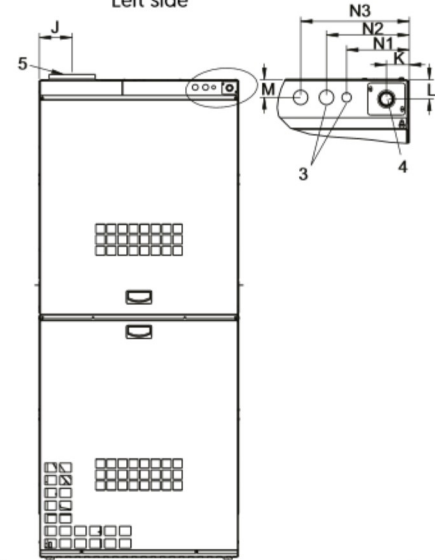
** Average data. Crated weight/shipping volume depends on configuration. Please contact logistics for exact measures.



Front



Left side



Rear side

