

Tumble dryer

TD6-37



Dryer featuring exceptional savings and effortless use



Priority on people

Certified ergonomic design with a human-centered approach for an outstanding user experience

- Lint filter
The horizontal filter drawer is positioned for easy access and cleaning without the need to bend down
- Large door opening for easy loading and unloading
- Easy access to vital parts from front and rear for simple servicing



Long-term savings

Innovative features to save money and time, and embrace a sustainable lifestyle with excellent water evaporation efficiency per kWh

- Moisture Balance (optional)
Helps to stop the drying process at the right time to save on energy costs



Pure control

Monitor your equipment and performance from anywhere, allowing to take action and to improve your business with OnE Laundry - the personal assistant for hygiene validation management, process management and revenue management (optional)



Outstanding productivity

Dry more laundry in less time: a game-changing improvement

- Reversing drum
Minimizes wrinkles and drying time to get an effective and even drying performance with 2 full loads per hour



Global Advanced Hygiene

Global Advanced Hygiene program package* with proven log 6 reduction** disinfection of textiles through the laundry process, fulfilling the criteria of all local approved standards

Main options and accessories

- Connection to booking- /payment- system or coin meter
- Stainless steel drum, Stainless steel front
- Fresh air intake
- Exhaust on top (Top evacuation is not available on steam heated tumble dryers)
- Insert for drying special equipment



Images shown are a representation of the product only and variations may occur.

* Programs available in the standard library of all products, excluding products for specific segments where water temperature is not controllable.

** Log 6 reduction equals to 99,999% viral infectivity reduction. The efficacy of reduction of SARS-CoV-2 and other pathogens in the process is confirmed by RISE (The Research Institute of Sweden) on the basis of Electrolux Professional laboratory data.

Main specifications			TD6-37			
Rated capacity, filling factor 1:18	kg/lb		37.5/82.7			
	kg/lb		30.6/67.5			
Drum volume	litre		675			
Drum diameter	mm		913			
Heating alternatives	electric	kW	32.0/40.0			
	gas	BTU/h (kW)	14 3400 (42)			
	steam at 600-700 kPa	kW	46			
Consumption data*			32.0 kW	40.0 kW	Gas	Steam
Total time at 30.6 kg	min		28	23	23	22
Energy consumption at 30.6 kg	kWh		15.10	15.08	16.42	19.27
Evaporation	g/min		544	676	653	700
Energy kWh/litre water evaporated	kWh/l		0.98	0.98	1.07	1.26

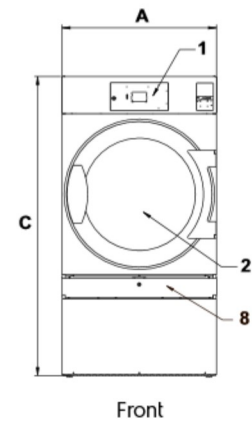
* At rated capacity 100% cotton load at 50% initial moisture dried to 0%.

Electrical connections					
Heating alternative	Main voltage		Heating power kW	Total power kW	Recommended fuse A
		Hz			
Electric heated	220-240V 3 ~	50/60	32.0/40.0	33.5/41.5	100/125
	380-415V 3N/3 ~	50/60	32.0/40.0	33.5/41.5	50/63
	440V 3 ~	60	32.0/40.0	33.5/41.5	50/63
	480V 3 ~	60	32.0/40.0	33.5/41.5	50/63
Gas heated / Steam heated	220-240V 1/1N ~	50/60	-	1.8	10
	220-480V 3/3N ~	50/60	-	1.5	10

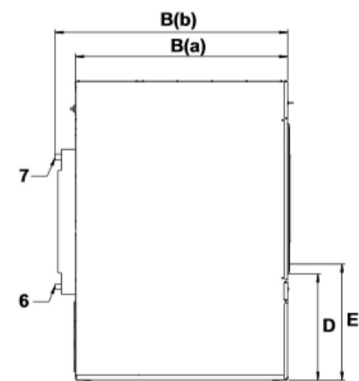
Steam, gas and air connections			TD6-37
Steam		ISO 7/1-R	1"
Steam pressure		kPa	100-1000
Steam consumption		kg/h	65
Condensate		ISO 7/1-R	1"
Gas	NG/PG	ISO 7/1-R	1/2"
Gas pressure	Natural gas	Pa	2000
	Propane	mbar	20
		Pa	2800-3700
		mbar	28-37
Air outlet		Ø mm	200
Maximum air flow:			
	Electric 50 Hz / 60 Hz	m ³ /h	1140 / 1140
	Gas 50 Hz / 60 Hz	m ³ /h	1140 / 1140
	Steam 50 Hz / 60 Hz	m ³ /h	1380 / 1380
Maximum static back pressure:			
	Electric 50 Hz / 60 Hz	Pa	270 / 800
	Gas 50 Hz / 60 Hz	Pa	410 / 800
	Steam 50 Hz / 60 Hz	Pa	900 / 1100
Sound levels			
Sound power/pressure level at drying*			
		dB(A)	74/57
Heat emission			
% of installed power, max			15
Shipping data**			
Shipping volume		net, kg	283
		crated, m ³	3.25
Dimensions in mm			
A	Width		960
B(a)	Depth		1560
B(b)	Depth		1640
C	Height		1855
D			660
E			720
F			170
G			1490
H			200
I			180
J			1560
K			50
L			480
M			580
N			805
1 Control panel			
2 Door opening Ø 810 mm			
3 Electrical connection			
4 Gas connection			
5 Exhaust connection			
6 Condensate connection			
7 Steam connection			
8 Lint screen			

* Sound power levels measured according to ISO 60704.

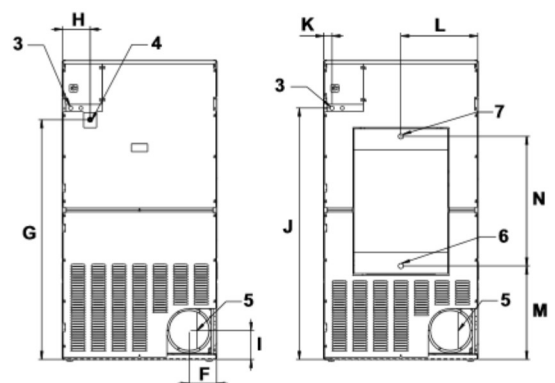
** Average data. Crated weight/shipping volume depends on configuration. Please contact logistics for exact measures.



Front



Left side



El, gas

Steam

Rear side