



# Professional Washer-Dryer

## WD5130, WD5240

### Features and benefits

- **Convenience**
  - Washing and drying is done in one machine
  - The WD can also be used as a regular washer or dryer
- **Space saving**
  - Only 1 or 1.4 m<sup>2</sup> floor space
  - A traditional solution will use the double space
- **Compass Pro® microprocessor offers:**
  - Large display and one control knob for easy program selection
  - Language selection
  - Quick selection and option buttons for the most frequently used wash programs and options
  - Wash program packages optimized on *Economy, Performance and Time*. (Available on general programs)
- **AS – Automatic Savings:**
  - The machine weighs the linen and adjusts the amount of water and energy according to the load. This leads to considerable savings in case the machine is not fully loaded. (Available on general programs)
- Extremely low water and energy consumption – see table below
- Four compartment detergent box for manual dosing of powder or liquid detergent
- High extraction force for efficient dewatering
- Door with gasket and strong hinges built for heavy duty operation
- Stainless and galvanized steel in all vital parts for high degree of rust protection
- **Power Balance:**
  - Maximises the extraction force, leading to highest dewatering and savings in drying
  - Minimizes the stress on the machine, leading to trouble-free operation and increased machine lifetime
  - Reduces vibrations, making it possible to install the machine in all locations



Images shown are a representation of the product only and variations may occur.

### Main options

- Connection to payment system or coin meter

Main specifications			WD5130	WD5240
Recommended load,	washing/drying	kg/lb	6.5/14	12/26
Max. load	washing/drying	kg/lb	8/18	15/33
Max. load	washing only	kg/lb	14/30	27/55
Max. load	drying only	kg/lb	8/18	15/33
Drum,	volume	litre	130	240
	diameter	ø mm	650	795
Extraction		rpm	980	890
G-factor			350	350
Heating alternatives, 230/400V				
	electricity (washing/drying)	kW	12.5/8	19.4/16.5
	gas (drying)	BTU/h (kW)	34100 (10)	68400 (19)
	non-heated (washing)		x	x
<b>Consumption data, Normal 60°C wash&amp;dry at rec. capacity* Economy</b>				
Total time	non heated (heated)	min	76 (79)	75 (78)
Water consumption	cold/hot	litre	48/12	81/22
Energy consumption,				
(wash heated) motor/heating/hot water/drying		kWh	0.3/0.35/0.75/4.3	0.55/0.55/1.4/7.9
(wash non-heated) motor/heating/drying		kWh	0.3/0/0.75/4.3	0.55/0/1.4/7.9
Evaporation, electric heated machine		g/min	105	207
Evaporation, gas heated machine		g/min	118	230
Energy kWh/litre evaporated		kWh/l	1.35	1.35

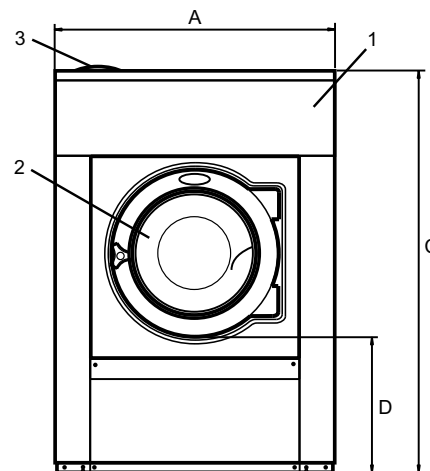
\* Water temperature 15°C cold water and 65°C hot water.



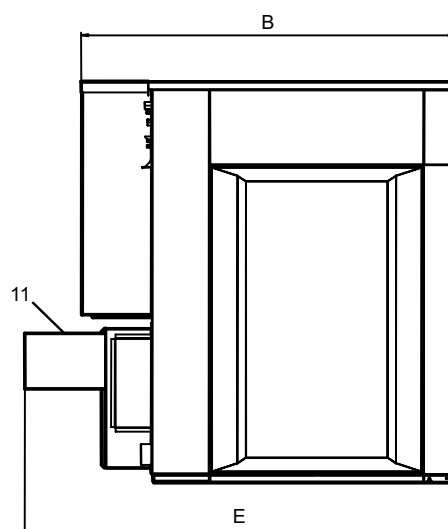
Electrical connections			WD5130	WD5240
Heating	Voltage			
Washer	220-240V 3AC 50 Hz	kW(A)	13.2(35)	20.1(50)
EI	220-240V 3AC 60 Hz	kW(A)	13.2(35)	20.1(50)
	380-415V 3AC 50 Hz	kW(A)	13.2(20)	20.2(35)
	380-415V 3AC 60 Hz	kW(A)	13.2(20)	20.2(35)
Dryer	220-240V 3AC 50 Hz	kW(A)	8.3(25)	16.8(50)
EI	220-240V 3AC 60 Hz	kW(A)	8.3(25)	16.8(50)
	380-415V 3AC 50 Hz	kW(A)	8.3(16)	16.8(35)
	380-415V 3AC 60 Hz	kW(A)	8.3(16)	16.8(35)
Gas/ non-heated	220-415V 1/3AC 50 Hz	kW(A)	1.3(10)	2.5(16)
	220-415V 1/3AC 60 Hz	kW(A)	1.3(10)	2.5(16)
Water and steam connection				
Water valves	DN		20	20
Water pressure	kPa		150-400	150-400
Capacity at 300 kPa	l/min		27	60
Drain valve	Ø mm		75	75
Draining capacity	l/min		150	150
Gas valve	ISO 7/1-R		1/2	1/2
Liquid detergent supplies			5	5
Air connections				
Air outlet	Ø mm		125	200
Evacuated air	m³/h		340	580
Pressure drop	Max. Pa		280	350
Floor requirements				
Frequency of the dynamic force	Hz		16.4	13.7
Max floor load at extraction	kN		3.0 ± 0.5	5.5 ± 1.3
Sound levels				
Sound pressure level**	dB(A)		70	78
Sound power level (IEC 60704-2-4)	dB(A)		78	83
Heat emission				
% of installed power washer, max			5	5
% of installed power dryer, max			15	15
Shipping data				
Weight	net, kg		382	555
	crated, kg		407	574
Shipping volume	m³		1.61	2.42
Dimensions in mm				
A	Width		910	1020
B	Depth		1110	1350
C	Height		1330	1450
D			435	500
E			1195	1550
F			1055	1170
G			90	95
H			1240	1360
I			1095	1215
J			105	105
K			275	265
L			385	440
M			410	430
N			535	650
O			585	710
P			450	535

- |                             |                         |
|-----------------------------|-------------------------|
| 1 Operating panel           | 8 Electrical connection |
| 2 Door opening              | 9 Hot water             |
| WD5130: Ø 395 mm,           | 10 Cold water           |
| WD5240: Ø 435 mm            | 11 Exhaust connection   |
| 3 Detergent container       | 12 Fan inverter         |
| 4 Cold or hot water         | 13 Air inlet (option)   |
| 5 Drain                     | WD5130: Ø 125 mm,       |
| 6 Gas connection            | WD5240: Ø 160 mm        |
| 7 Liquid supply connections |                         |

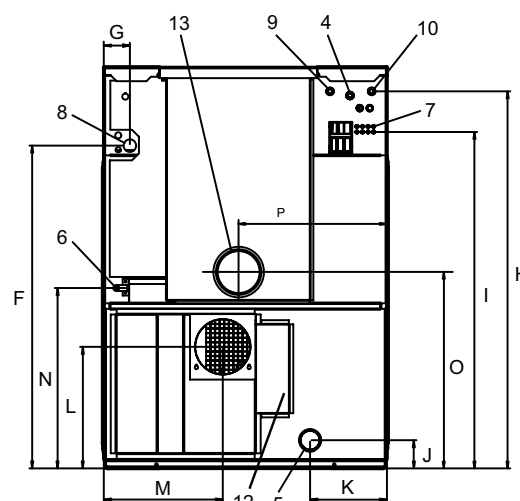
\*\* Approx. value at operators position in a mid-size laundry room



Front



Left view



Rear side