

Pullman barrier washer extractors

WPB4700H, WPB4900H, WPB41100H

Features and benefits

- Two compartment inner drum separated by a Pullman partition for the best ergonomics and mechanical action of the market
- Automatic inner drum positioning in loading or unloading position
- Automatic locking and unlocking of outer drum doors
- Largest doors of the market
- Unloading by gravity, the easiest and fastest of the market
- Intuitive programming control panel
 - 8 colour industrial touch screen
 - Smart card reader & writer
 - Electrolux unfolding menus
 - Choice of 14 languages
- Pneumatic suspensions for minimum vibrations
- Frequency control motor and Poly V belt for precise, consistent and silent rotation speeds
- 5 compartment soap box for manual supply or connection to automatic liquid system



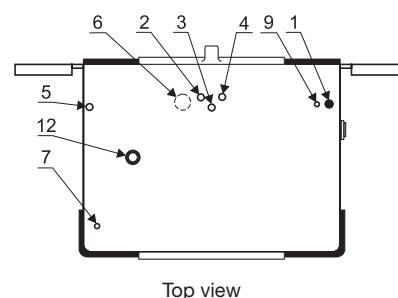
Main options

- Electrolux Integrated Weighing System for better ergonomics and productivity
- Integrated pH meter for a better performing traceability
- Automatic opening of inner drum doors at the end of the washing cycle
- Bath sampling tap
- End of cycle visual alarm on both sides of the machine
- Stainless steel cover panels
- Clean room application
- Opening of loading outer door at 180° for semi automatic loading.
- Third water inlet
- Second drain valve for water recycling

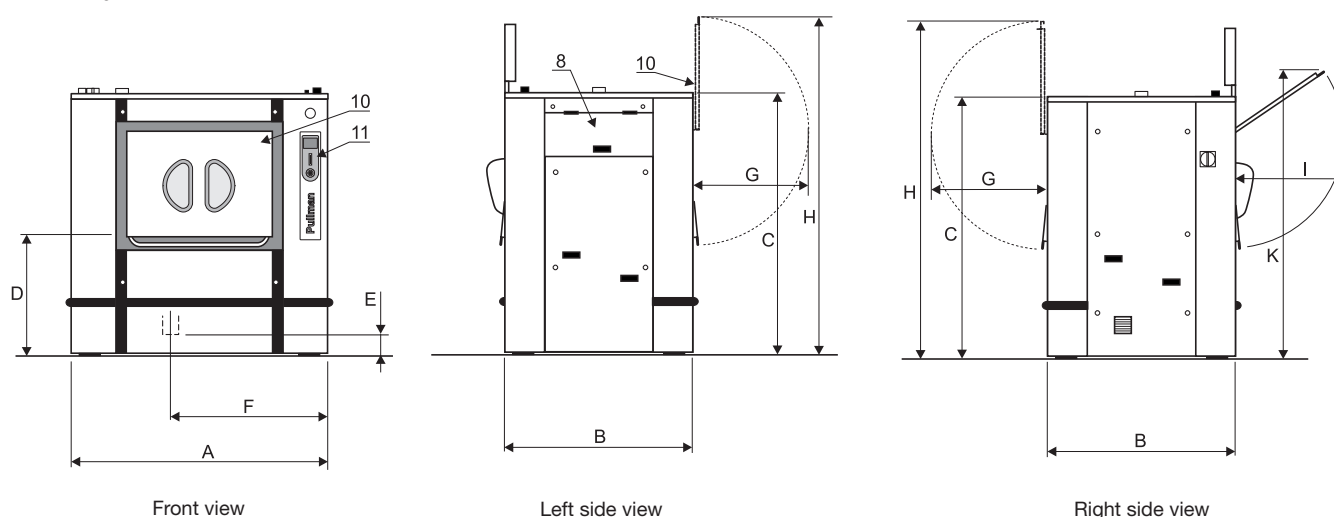
| Main specifications | | | WPB4700H | | WPB4900H | | WPB41100H | |
|--|---------------------|-------|----------|-------|----------|-------|-----------|-------|
| Rated capacity, | filling factor 1:10 | kg/lb | 70/154 | | 90/198 | | 110/242 | |
| | filling factor 1:13 | kg/lb | 54/118 | | 69/152 | | 84/184 | |
| Drum | volume | litre | 690 | | 890 | | 1080 | |
| | diameter | ø mm | 1050 | | 1050 | | 1050 | |
| Extraction | | rpm | 720 | | 720 | | 720 | |
| G-factor | | | 300 | | 300 | | 300 | |
| Heating alternatives | electricity | kW | 54 | | 72 | | 72 | |
| | steam | | x | | x | | x | |
| Consumption data "Normal 65°C" typical wash cycle with pre-wash* | | | Electric | Steam | Electric | Steam | Electric | Steam |
| Water consumption (cold) | | litre | 990 | 990 | 1190 | 1190 | 1490 | 1490 |
| Energy consumption (motor/heating)* | | kWh/h | 1.86/15 | 1.86 | 2.3/22 | 2.3 | 2.4/26 | 2.4 |
| Steam consumption | | kg | - | 24 | - | 32 | - | 36 |
| Compressed air consumption | | litre | 50 | 50 | 50 | 50 | 50 | 50 |
| <small>* Typical cycle (filling 1/10) prewash 3 mn 35°C, drain 2 mn, main wash 4 mn 65°C, drain 2 mn, rinse 2 mn distribution 2 min, rinse 2 min, extraction 2 mn, rinse 2 mn, extraction 10 mn (cold water temperature 15°C).</small> | | | | | | | | |

Certified in accordance with ISO 9001 and ISO 14001 and approved IP 24D.

| Electrical connections* | | | WPB4700H | WPB4900H | WPB41100H |
|---|------------------------|----------------------------|------------|------------|-----------|
| Heating Voltage | | | | | |
| Electric | 380-415V 3 AC 50/60 Hz | kW(A) | 65.7 (125) | 87.7 (160) | 91 (160) |
| Steam or non-heated | 380-415V 3 AC 50/60 Hz | kW(A) | 11.7 (40) | 15.7 (40) | 19 (50) |
| Water and steam connections | | | | | |
| Water valves | DN | | 32 | 32 | 32 |
| Water pressure | kPa | | 50-600 | 50-600 | 50-600 |
| Capacity at 250 kPa | l/min | | 200 | 200 | 200 |
| Drain valve | ø mm | | 110 | 110 | 110 |
| Draining capacity | l/min | | 380 | 380 | 380 |
| Steam valve | DN | | 25 | 25 | 25 |
| Steam pressure | kPa | | 300-600 | 300-600 | 300-600 |
| Compressed air | mm | | 6/8 | 6/8 | 6/8 |
| Compressed air pressure | kPa | | 550-700 | 550-700 | 550-700 |
| Sound levels | | | | | |
| Airborne sound level (washing/extraction) | | dB(A) | 64/83 | 64/83 | 67/83 |
| Heat emission | | | | | |
| % of installed power | | max | 5 | 5 | 5 |
| Shipping data | | | | | |
| Weight | | net, kg | 2600 | 2800 | 2900 |
| Dimensions in mm | | | | | |
| A Width | | | 1496 | 1726 | 1956 |
| B Depth | | | 1363 | 1363 | 1363 |
| C Height | | | 2040 | 2040 | 2040 |
| D | | | 990 | 990 | 990 |
| E | | | 240 | 240 | 240 |
| F | | | 965 | 1080 | 1195 |
| G with 180° door opening option only | | | 830 | 830 | 830 |
| H with 180° door opening option only | | | 2580 | 2580 | 2580 |
| I | | | 790 | 790 | 790 |
| K | | | 2075 | 2075 | 2075 |
| 1 Electrical connection | | 7 Liquid supply connection | | | |
| 2 Cold water | | 8 Soap box | | | |
| 3 Hot water | | 9 Compressed air | | | |
| 4 Cold soft water | | 10 Loading/unloading door | | | |
| 5 Steam connection | | 11 Control panel | | | |
| 6 Drain | | 12 Vent connection | | | |



* Other voltages available, see installation manual.



Electrolux

www.electrolux.com/professional

Share more of our thinking at www.electrolux.com

Art. No. 438903381/01 07.04
We reserve the right to alter specifications without notice.