



Drying cabinet

TS5121

Features

- Handle along whole side of door - suitable for disabled people
- Built-in work light
- Insulated doors/quieter operation/more robust design
- The drying cabinet works with suction, which prevents leakage of air into the room
- Double fans and air ducts create a perfect air balance and even drying result in the whole drying cabinet
- 18 extensible hangers made of stainless steel
- Two automatic drying programmes
- Adjustable feet - for easy installation
- Large doors and large opening angle – for easy operation

Options

- Shoe rack to make it easier to dry shoes and boots
- Glove hanger for more efficient drying of gloves, hats etc.



Main specifications		TS5121
Load capacity	kg	6-8
Dewatering capacity*	g/min	72
Drying time**	min	45
Unit power	kW	6
Energy consumption/kg	kWh	0,7
Energy kWh/litre removed water	kWh	1,32

* Applies to 6 kg dry weight cotton with 53% residual moisture

** The drying cabinet is reconditioned 15 min after the textiles have dried



Electrical connection		TS5121
Voltage	400V 3N AC 50 Hz	
Traditional thread locker	kW(A)	6.2(10)
Automatic circuit breaker	kW(A)	6.2(13)
Connections		
Outlet	ø mm	125
Evacuated air quantity	m ³ /h	250
Pressure drop*	Max. Pa	70
Sound level		
Air sound level**	dB(A)	59
Weight		
	netto, kg	134
Dimensioner i mm		
A	Width	1200
B	Depth	580
C	Height	1820
D		1635
E		185
F		811
G		529
H		430
I		215
J		600
1 Operating panel 2 Electrical connections 3 Air outlet***		

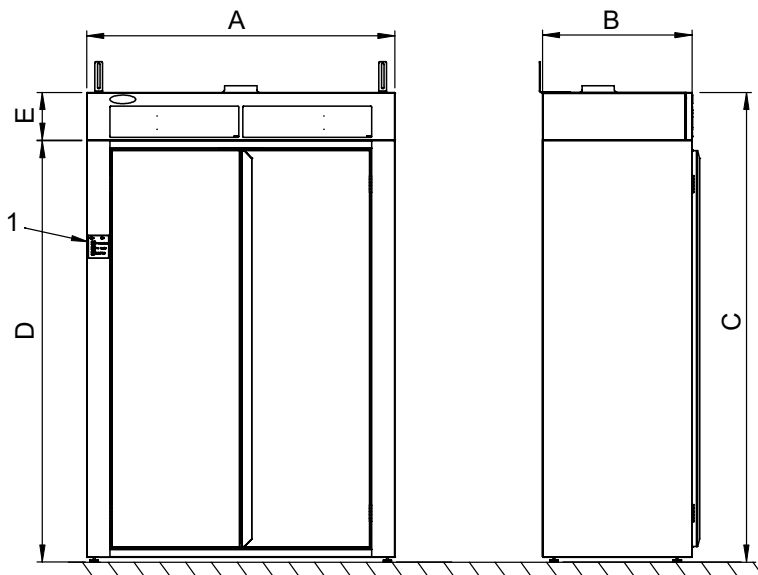


Colour of front and side panels:
blue (NCS S2050-R90B), (RAL 250 6030) light grey (NCS S3005-R80B),
(RAL 260 7005)

* Corresponds to 23 m straight duct
For 160 mm dia outlet connection, approx. 70 cm straight duct applies

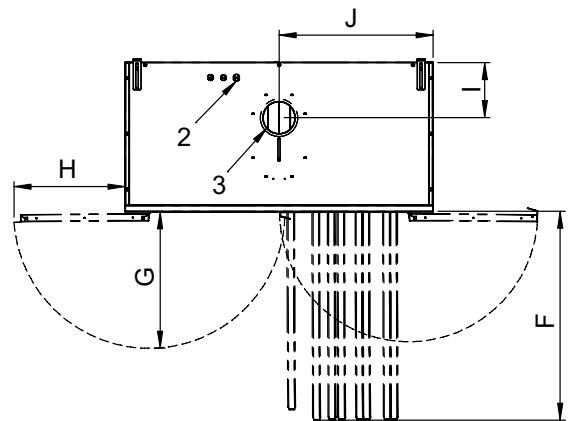
** Acoustically tested with full load

*** Connected to a separate duct or general ventilation
Connection cable not supplied



Front

Right view



View from above