

# Tumble dryer

## T4900, T41200

### Features and benefits

- High productivity - 2 full loads per hour
- Selection of temperature and time for easy operation
- Large door opening for easy loading and unloading
- Large selfcleaning lint screen for easy maintenance
- Easy access to vital parts from front and rear for simple servicing
- Selecta microprocessor control
- Reversing drum
- Emergency stop
- Supply disconnecter
- Gas reset from front (gas version)

### Main options

- Stainless steel front
- Stainless steel drum
- Frequency controlled motor
- Fresh air intake
- Indicator lamp for finished drying cycle
- RMC (Residual Moisture Control)
- Sliding door (separate data sheet)
- Tilting forward (separate data sheet)
- CMIS

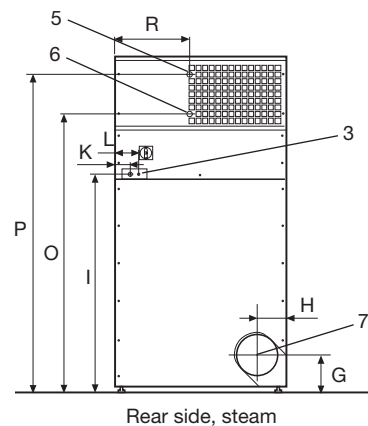
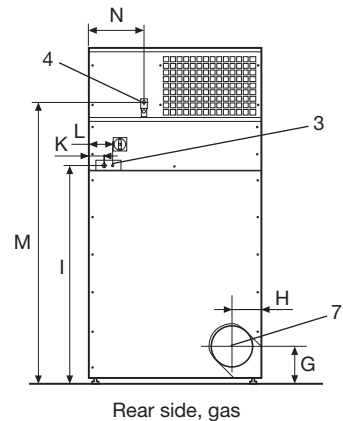
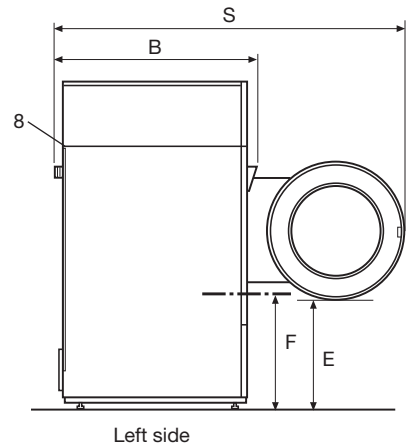
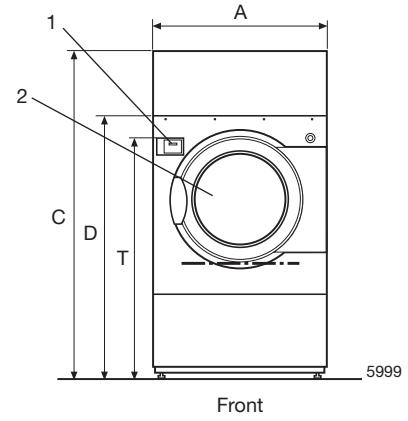


Main specifications			T4900				T41200			
Rated capacity,	filling factor 1:18	kg/lb	50/110				66.7/147			
	filling factor 1:25	kg/lb	36/80				48/105			
Drum volume		litre	900				1200			
Drum diameter		mm	1240				1240			
Heating alternatives										
	gas	BTU/h (kW)	218 430 (64)				279 865 (82)			
	steam at 700 kPa	kW	82				82			
	el	kW	48/60				60/72			
<b>Consumption data*</b>			Gas	Steam	EI 48 kW	EI 60 kW	Gas	Steam	EI 60 kW**	EI 72 kW**
Total time at 45/60 kg		min	26	31	35	28	27	34	35	26
Energy consumption at 45/60 kg		kWh	26.2	43.5	27.4	28	35.6	49	34.8	30.8
Evaporation		g/min	865	735	651	803	1070	876	854	923
Energy kWh/litre water evaporated		kWh/l	1.16	1.91	1.2	1.2	1.23	1.64	1.17	1.28
* At rated capacity 100% cotton load at 50% initial moisture dried to 0%.										
** Test load 48 kg/100 lbs.										

Certified in accordance with ISO 9001 and ISO 14001 and approved IP 42.

Electrical connections			T4900	T41200
Heating Voltage				
EI	230-240V 3 AC 50/60 Hz	kW(A)	51 (160)	-
	400-415V 3 AC 50 Hz	kW(A)	51 (80)	63 (100)
	400-480V 3 AC 60 Hz	kW(A)	51 (80)	63 (100)
	400-415V 3 AC 50 Hz	kW(A)	63 (100)	75 (125)
Gas or steam	400-480V 3 AC 60 Hz	kW(A)	63 (100)	75 (125)
	200-240V 3 AC 50/60 Hz	kW(A)	3.3 (20)	3.3 (20)
	400-415V 3 AC 50 Hz	kW(A)	3.3 (16)	3.3 (16)
400-480V 3 AC 60 Hz	kW(A)	3.3 (16)	3.3 (16)	
Steam, gas and air connections				
Steam	ISO 228/1-G1		1"	1"
Steam pressure		kPa	100-1000	100-1000
Steam consumption		kg/h	143	143
Condensate	ISO 228/1-G1		1"	1"
Gas	ISO 7/1-Rp		1"	1"
Gas pressure	Natural gas	Pa	2000	2000
		mbar	20	20
	Propane	Pa	2800-5000	2800-5000
		mbar	28-50	28-50
Air outlet		mm	Ø 315	Ø 315
Evacuated air,	steam	m <sup>3</sup> /h	2300	3000
	gas	m <sup>3</sup> /h	2300	3000
	electric	m <sup>3</sup> /h	2300	3000
Pressure drop		Max. Pa	100	100
Sound levels				
Airborne sound level				
		dB(A)	<70	<70
Heat emission				
% of installed power, max			15	15
Shipping data				
Heating unit, gas/steam/electric		net, kg	39/50/42	46/50/42
		total net, kg	440	470
Dimensions in mm				
A	Width		1290	1290
B	Depth		1295	1485
C	Height		2465	2465
D	(with top removed)		1965	1965
E			780	780
F			850	850
G			245	245
H			230	230
I			1590	1590
K			120	120
L			180	180
M			2055	2055
N			410	410
O			2025	2025
P			2360	2360
R			570	570
S			2400	2590
T			1810	1810
1	Control panel		5	Steam connection
2	Door opening Ø 940		6	Condensate connection
3	Electrical connection		7	Exhaust connection
4	Gas connection		8	Delivery height

\* Other voltages available see installation manual.



**Electrolux**

www.electrolux.com/professional

Share more of our thinking at www.electrolux.com

Art. No. 438903221/01 07.04  
We reserve the right to alter specifications without notice.