



# Tumble dryer

## T5420S

### Features and benefits

- High productivity – 2 full loads per hour per pocket
- Low energy consumption for optimal efficiency and economy
- Selection of temperature and time for easy operation
- Customized user panels for specific user needs – available for Coin and OPL (On Premises Laundry)
- Large door opening for easy loading and unloading
- Easy access to vital parts from front and rear for simple servicing
- With Compass Pro program control
  - Large and clear display for easy program selection
  - Easy access with user-friendly interface
  - Language selection
  - Service program for adjustment of parameters
  - USB connection
- Serviceprogram for adjustment of parameters eg. temperature and cool-down time
- The coin version with Ecopower to avoid over drying of the garments and get a lower energy consumption

### Main options

- Stainless steel front
- Stainless steel drum
- Reversing drum
- Connection to booking- /payment- system or coin meter



*Images shown are a representation of the product only and variations may occur.*

Main specifications**			T5420S
Rated capacity,	filling factor 1:20	kg/lb	20.4/45
	filling factor 1:22	kg/lb	18.8/41.8
Drum volume		litre	414
Drum diameter		mm	832
Heating			
	gas	BTU/h (kW)	94 000 (27.5)
<b>Consumption data*</b>			Gas
Total time at 20.4 kg		min	24
Energy consumption at 20.4 kg		kWh	12
Evaporation		g/min	428
Energy kWh/litre water evaporated		kWh/l	1.17

\* At rated capacity 100% cotton load at 50% initial moisture dried to 0%.

\*\* Value per pocket.



Electrical connections*					
Heating alternative	Main voltage		Heating power kW	Total power kW	Recommended fuse A
		Hz			
Gas heated	200-240V 3 ~	50/60	-	2.8	10
	400-480V 3 ~	50/60	-	2.8	10
	230-240V 1 ~	50	-	2.8	10

Gas and air connections			T5420S
Gas		ISO 7/1-R	3/4"
Gas pressure	Natural gas	Pa	2000
		mbar	20
	Propane	Pa	2800-5000
		mbar	28-50
Air outlet		ø mm	250 / 200
Evacuated air, gas		m³/h	1020
Pressure drop, gas		Max. Pa	300

Sound levels		
Airborne sound level		
	dB(A)	<70

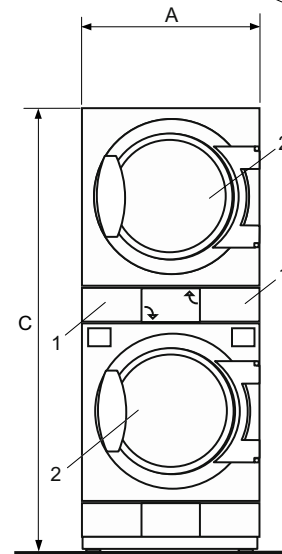
Heat emission	
% of installed power, max	15

Shipping data	
	net, kg
	crated, kg
	crated, m³

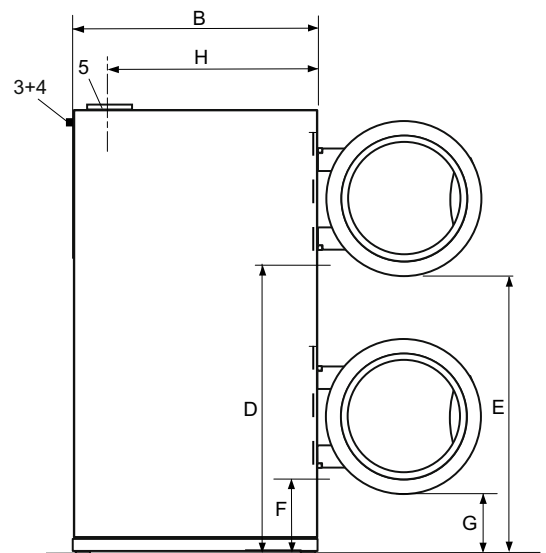
Dimensions in mm		
A	Width	870
B	Depth	1322
C	Height	2078
D		1288
E		1222
F		262
G		186
H		1083
J		161
K		75
L		38
M		231
N1		90
N2		178
O		854
P		2175

- 1 Operating panel
- 2 Door opening ø 686 mm
- 3 Electrical connection
- 4 Gas connection
- 5 Exhaust connection

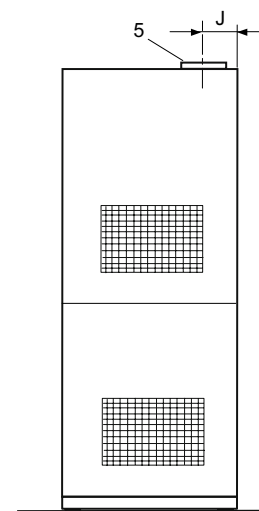
\* Other voltages available, see installation manual.



Front



Left side



Rear side

