



# Tumble dryer

## T5350

### Features and benefits

- High productivity – 2 full loads per hour
- Low energy consumption for optimal efficiency
- Large door opening for easy loading and unloading
- Large selfcleaning lint screen for easy maintenance
- Reversible door hanging for a convenient laundry flow
- Easy access to vital parts from front and rear for simple servicing
- With Compass Pro program control
  - Large display and one control knob for easy program selection
  - Language selection
  - Quick selection and option buttons for the most frequently used drying programs and options
  - Drying program packages optimized for Economy, Care and Time and option buttons for selection of dryness
  - Service program for adjustment of parameters
  - USB connection
- The coin version with Ecopower to avoid over drying of the garments and get a lower energy consumption

### Main options

- Stainless steel front
- Stainless steel drum
- Residual Moisture Control – RMC
- Reversing drum
- Payment: coinmeter with Ecopower, chipcard reader, CP connection
- Special versions (dryer + option package): Lagoon® variant includes stainless steel front, stainless steel drum, RMC and reversing drum
- Fresh air intake
- Supply disconnecter
- CMIS (Certus Management Information System)



Images shown are a representation of the product only and variations may occur.

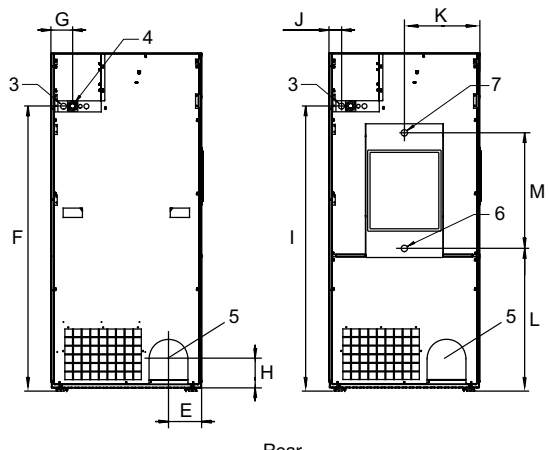
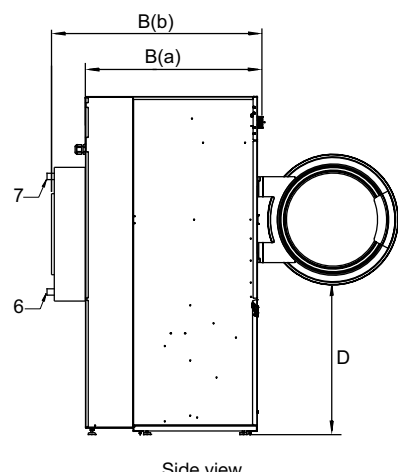
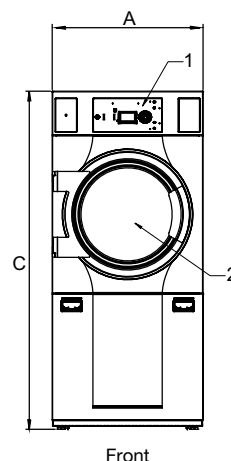
Main specifications			T5350			
Rated capacity, filling factor 1:18	kg/lb		19.4/42.8			
	filling factor 1:22	kg/lb	15.5/34.2			
Drum volume		litre	349			
Drum diameter		mm	760			
Heating,	electric	kW	13.5/18			
	gas	BTU/h (kW)	71700 (21)			
	steam at 800 kPa		25			
<b>Consumption data*</b>			13.5 kW	18 kW	Gas	Steam
Total time full load	min		38	27	24	22
Energy consumption full load	kWh		8.2	7.7	8.4	11.7
Evaporation	g/min		211	289	342	359
Energy kWh/litre water evaporated	kWh/l		1.02	0.99	1.03	1.48

\* At rated capacity 100% cotton load at 50% initial moisture dried to 0%.



Electrical connections*					
Heating alternative	Main voltage		Heating power kW	Total power kW	Recommended fuse A
		Hz			
Electric heated	220-240V 3 ~	50/60	13.5/18.0	14.6/19.1	50
	380-415V 3N ~	50/60	13.5/18.0	14.6/19.1	25/35
	440V 3 ~	60	13.5/18.0	14.6/19.1	25/35
	480V 3 ~	60	13.5/18.0	14.6/19.1	20/25
Gas heated/ Steam heated	220-240V 3 ~	50/60	13.5/18.0	1.1	10
	380-415V 3N ~	50/60	13.5/18.0	1.1	10
	440V 3 ~	60	13.5/18.0	1.1	10
	480V 3 ~	60	13.5/18.0	1.1	10

Steam, gas and air connections			T5350
Steam	ISO 7/1-R		1"
Steam pressure		kPa	100-1000
Steam consumption		kg/h	65
Condensate	ISO 7/1-R		1"
Gas	ISO 7/1-R		1/2"
Gas pressure	Natural gas	Pa	2000
		mbar	20
	Propane	Pa	2800-5000
		mbar	28-50
Air outlet		ø mm	200
Evacuated air,	el 13.5 kW	m³/h	600
	el 18 kW		1000
	gas 21 kW		1000
	steam		1000
Pressure drop	el 13.5 kW	Max. Pa	520
	gas 13.5 kW		520
	el 18 kW/gas 21 kW/steam		270
Sound levels			
Airborne sound level		dB(A)	<70
Heat emission			
% of installed power, max			15
Shipping data			
Weight		net, kg	169
Shipping volume		crated, m³	1.92
Dimensions in mm			
A	Width		790
B(a)	Depth, el and gas		1120
B(b)	Depth, steam		1320
C	Height		1760
D			790
E			155
F			1505
G			100
H			170
I			1505
J			80
K			395
L			755
M			585
1	Operating panel		
2	Door opening ø 580 mm		
3	Electrical connection		
4	Gas connection		
5	Exhaust connection		
6	Steam: in		
7	Steam: out		



\* Other voltages available, see installation manual.