



Tumble dryer

T5300S

Features and benefits

- High productivity – 2 full loads per hour per pocket
- Low energy consumption for optimal efficiency and economy
- Selection of temperature and time for easy operation
- Customized user panels for specific user needs – available for Coin and OPL (On Premises Laundry)
- Large door opening for easy loading and unloading
- Easy access to vital parts from front and rear for simple servicing
- With Compass Pro program control
 - Large and clear display for easy program selection
 - Easy access with user-friendly interface
 - Language selection
 - Service program for adjustment of parameters
 - USB connection
- Serviceprogram for adjustment of parameters eg. temperature and cool-down time
- The coin version with Ecopower to avoid over drying of the garments and get a lower energy consumption

Main options

- Stainless steel front
- Stainless steel drum
- Residual Moisture Control – RMC
- Reversing drum
- Payment: coinmeter with Ecopower, chipcard reader, central payment connection



Images shown are a representation of the product only and variations may occur.

Main specifications**			T5300S			
Rated capacity,	filling factor 1:18	kg/lb	16.7/37			
	filling factor 1:25	kg/lb	12/26			
Drum volume		litre	300			
Drum diameter		mm	760			
Heating	gas	BTU/h (kW)	71 700 (21)			
	el	kW	9 / 13.5 / 18			
Consumption data*			Gas	EI 9 kW	EI 13.5 kW	EI 18 kW
Total time at 13.6 kg		min	21	43	29	24
Energy consumption at 13.6 kg		kWh	7.11	6.65	6.51	6.51
Evaporation		g/min	329	160	231	279
Energy kWh/litre water evaporated		kWh/l	1.03	0.96	0.97	0.97

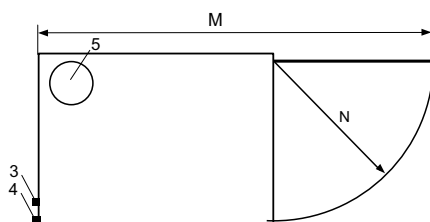
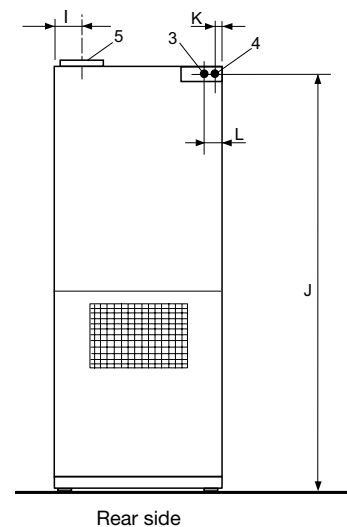
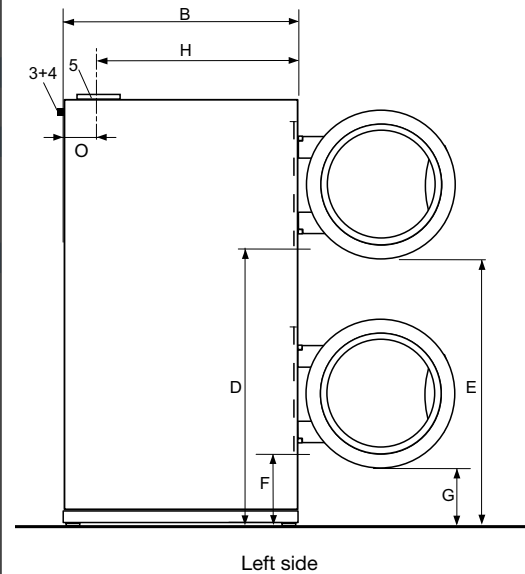
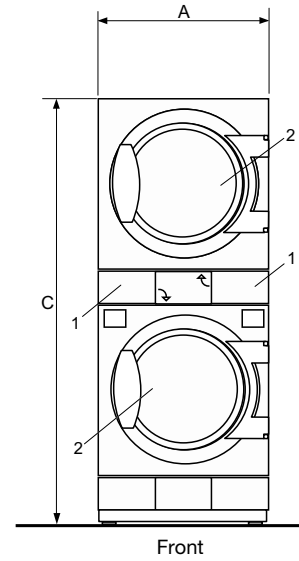
* At rated capacity 100% cotton load at 50% initial moisture dried to 0%.
** Value per pocket



Electrical connections					
Heating alternative	Main voltage		Heating power kW	Total power kW	Recommended fuse A
		Hz			
Electric heated	220-240V 3 ~	50/60	9.0	10.0	35
	380-415V 3 ~	50	9.0/13.5/18.0	10.0/14.5/19.0	16/25/35
	440-480V 3 ~	60	9.0/13.5/18.0	10.0/14.5/19.0	16/20/35
Gas heated	120V 1 ~	60	-	1.0	15
	208-240V 1 ~	60	-	1.0	15
	200V 3 ~	50/60	-	1.0	10
	220-240V 1 ~	50/60	-	1.0	10
	380-480V 3 ~	50/60	-	1.0	10

Gas and air connections			T5300S
Gas		ISO 7/1-R	1/2"
Gas pressure	Natural gas	Pa	2000
		mbar	20
	Propane	Pa	2800-5000
		mbar	28-50
Air outlet		ø mm	200
Evacuated air,	gas/el	m ³ /h	600
Pressure drop	gas/el	Max. Pa	400
Sound levels			
Airborne sound level			
	dB(A)		<70
Heat emission			
% of installed power, max			15
Shipping data			
	net, kg		295
	crated, kg		315
	crated, m ³		2.0
Dimensions in mm			
A	Width		790
B	Depth		1115
C	Height		1940
D			1270
E			1210
F			320
G			260
H			905
I			140
J			1930
K			30
L			105
M			1840
N			740
O			210

- 1 Operating panel
- 2 Door opening ø 580 mm
- 3 Electric connection
- 4 Gas connection
- 5 Exhaust connection



* Other voltages available, see installation manual.