



Tumble dryer

T5190

Features and benefits

- **Compass Pro® microprocessor offers:**
 - Large display and one control knob for easy program selection
 - Language selection
 - Quick selection and option buttons for the most frequently used drying programs and options
 - Drying program packages optimized for Economy, Care and Time and option buttons for selection of dryness
 - Service program for adjustment of parameters
 - USB connection
- High productivity – 2 full loads per hour
- Low energy consumption for optimal efficiency
- Reversible door hanging for a convenient laundry flow
- Easy access to vital parts from front and rear for simple servicing
- The coin version with Ecopower to avoid over drying of the garments and get a lower energy consumption

Main options

- Residual Moisture Control for an accurate drying result and a low energy consumption
- Reversing drum for less tangling of large items
- Stainless steel front
- Stainless steel drum
- Payment: coinmeter with Ecopower, chipcard reader, CP connection
- Stainless steel base frame
- Separate condense system
- Fresh air intake



Images shown are a representation of the product only and variations may occur.

| Main specifications | | T5190 | | | |
|-------------------------------------|---------------------|-------------------|------|----------|----------|
| Rated capacity, filling factor 1:18 | kg/lb | 10.6/23 | | | |
| | filling factor 1:22 | 8.6/19 | | | |
| Drum volume | litre | 190 | | | |
| Drum diameter | mm | 680 | | | |
| Heating, | electric | 6/8 | | | |
| | gas | 20500/27300 (6/8) | | | |
| Consumption data* | | 6 kW | 8 kW | Gas 6 kW | Gas 8 kW |
| Total time full load | min | 35 | 27 | 36 | 29 |
| Energy consumption full load | kWh | 3.45 | 3.53 | 3.67 | 3.74 |
| Evaporation | g/min | 102 | 129 | 106 | 131 |
| Energy kWh/litre water evaporated | kWh/l | 0.92 | 0.94 | - | - |

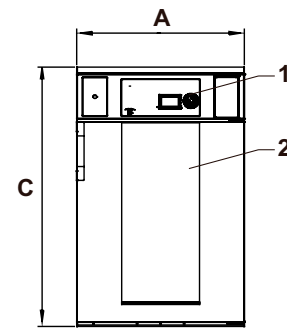
* At rated capacity 100% cotton load at 50% initial moisture dried to 0%.



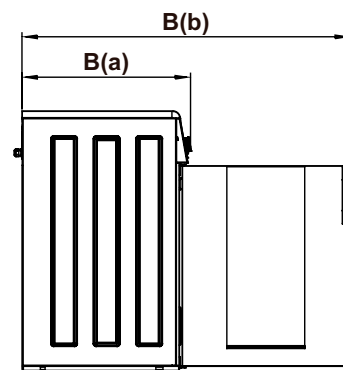
| Electrical connections* | | | | | |
|-------------------------|----------------|-------|------------------|----------------|--------------------|
| Heating alternative | Main voltage | | Heating power kW | Total power kW | Recommended fuse A |
| | | Hz | | | |
| Electric heated | 220-240V 1 ~ | 50/60 | 6.0/8.0 | 6.3/8.3 | 35/50 |
| | 220-230V 3 ~ | 50/60 | 6.0/8.0 | 6.3/8.3 | 20/25 |
| | 240V 3 ~ | 50/60 | 6.0/8.0 | 6.3/8.3 | 16/25 |
| | 380-415V 3 ~ | 50/60 | 6.0/8.0 | 6.3/8.3 | 10/16 |
| | 440/480V 3 ~ | 60 | 6.0/8.0 | 6.3/8.3 | 10/16 |
| Gas heated | 220-480V 1/3 ~ | 50/60 | - | 0.3 | 10 |

| Gas and air connections | | | T5190 |
|---------------------------|-----------------------|------------|-----------|
| Gas | | ISO 7/1-R | 1/2" |
| Gas pressure | Natural gas | Pa | 2000 |
| | | mbar | 20 |
| | Propane | Pa | 2800-5000 |
| | | mbar | 30 |
| Air outlet | | ø mm | 125 |
| Evacuated air | 6 kW | m³/h | 270 |
| | 8 kW | | 290 |
| Pressure drop | 6 kW | Max. Pa | 380 |
| | 8 kW | | 350 |
| Sound levels | | | |
| Airborne sound level | | dB(A) | 68 |
| Heat emission | | | |
| % of installed power, max | | | 15 |
| Shipping data | | | |
| Weight | | net, kg | 103 |
| | | crated, kg | 114 |
| Shipping volume | | m³ | 0.8 |
| Dimensions in mm | | | |
| A | Width | | 720 |
| B(a) | Depth | | 724 |
| B(b) | Depth | | 1408 |
| C | Height | | 1114 |
| D | | | 552 |
| E | | | 79 |
| F | | | 935 |
| G | | | 45 |
| 1 | Operating panel | | |
| 2 | Door opening ø 400 mm | | |
| 3 | Electrical connection | | |
| 4 | Gas connection | | |
| 5 | Exhaust connection | | |

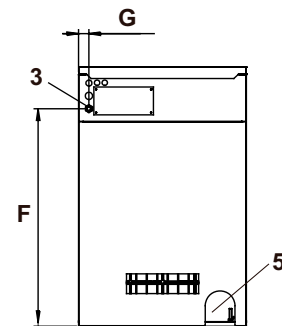
* Other voltages available, see installation manual.



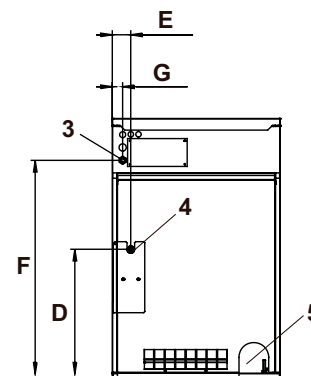
Front



Side view



Rear



Rear