



Washer extractor

W5105N

Features and benefits

- **Compass Pro® microprocessor offers:**
 - Large display and one control knob for easy program selection
 - Language selection
 - Quick selection and option buttons for the most frequently used wash programs and options
 - Wash program packages optimized on *Economy, Performance and Time*. (Available on general programs)
- Extremely low water and energy consumption – see table below
- Four compartment detergent box for manual dosing of powder or liquid detergent
- High extraction force for efficient dewatering
- Door with gasket and strong hinges built for heavy duty operation
- Stainless and galvanized steel in all vital parts for high degree of rust protection
- SuperBalance guarantees the correct extraction force



Images shown are a representation of the product only and variations may occur.

Main options

- Automatic liquid detergent supply (optional I/O board)
- Stainless steel front panel
- Connection to booking- /payment- system or coin meter
- Drain pump

Main specifications				W5105N			
Max. capacity	filling factor 1:9	kg/lb		11/25			
Drum,	volume	litre		105			
	diameter	ø mm		595			
Extraction		rpm		548			
G-factor				100			
Standard heating alternatives		electricity	kW	7.5 / 10.0			
Low energy heating alternatives		electricity	kW	3.0			
		steam		x			
		non-heated		x			
Consumption data "Normal 60°C"				EI		Steam**	
Economy*				Full load, 11 kg	Half load, 5.5 kg	Full load, 11 kg	Half load, 5.5 kg
Total time		min	45	43	45	43	
Water consumption (cold+hot)		litre	61+19	49+13	61+19	49+13	
Energy consumption (motor/heating***)		kWh	0.15/1.75	0.1/1.2	0.15/-	0.1/-	
Steam consumption		kg	-	-	2.6	1.8	
Residual moisture		%	69	78	69	78	

* Water temperature 15°C cold water and 65°C hot water.

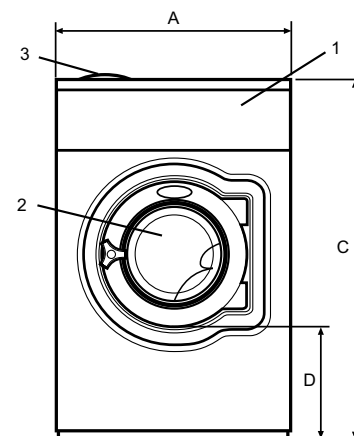
** Depending on steam pressure.

*** Includes hot water heating.

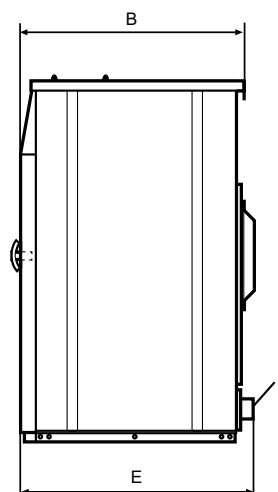


Electrical connections					
Heating alternative	Main voltage		Heating power kW	Total power kW	Recommended fuse A
		Hz			
Electric heated	220-240V 1 ~	50/60	3.0/7.5/10.0	3.3/7.8/10.3	20/35/50
	220-240V 3 ~	50/60	7.5/10.0	7.8/10.3	25/35
	380-415V 3N ~	50/60	7.5/10.0	7.8/10.3	16/20
	440V 3 ~	60	7.5/10.0	7.8/10.3	16
	480V 3 ~	60	7.5/10.0	7.8/10.3	16
Steam or Non heated	220-480V 1/3 ~	50/60	-	0.8	10

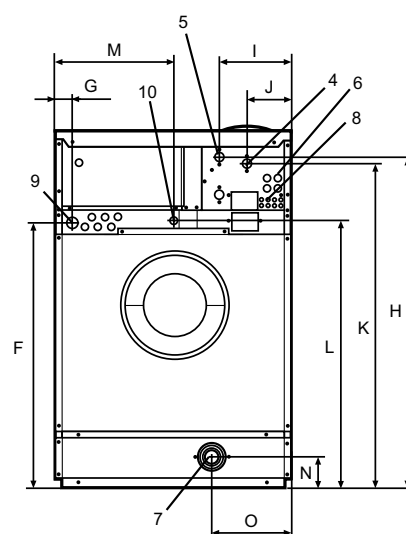
Water and steam connection		W5105N
Water valves	DN	20
Water pressure	kPa	200-600
Capacity at 300 kPa	l/min	20
Drain valve	ø mm	75
Draining capacity	l/min	170
Steam valve	DN	15
Steam pressure	kPa	300-600
Liquid detergent supplies		5
Floor requirements		
Frequency of the dynamic force	Hz	9.1
Floor load at max extraction	kN	1.9 ± 2.5
Sound levels		
Sound power level (IEC 60704-2-4)		
wash	dB(A)	64
extraction	dB(A)	70
Heat emission		
% of installed power, max		5
Shipping data		
Weight	net, kg	145
	crated, kg	167
Shipping volume	m ³	0.9
Accessories		
Steel base		x
Hose kits for water or steam		x
Fluff collector		x
Dimensions in mm		
A	Width	720
B	Depth	705
C	Height	1200
D		365
E		740
F		910
G		45
H		1115
I		215
J		130
K		1095
L		910
M		420
N		100
O		235
1	Operating panel	6
2	Door opening ø 365 mm	7
3	Detergent box	8
4	Cold water	9
5	Hot water	10
6	Water re-use	
7	Drain	
8	Liquid detergent supply	
9	Electrical connection	
10	Steam connection	



Front



Side view



Rear

Front and side panels in light grey and blue (RAL 260 70 05, 250 60 30)

* Other voltages available, see installation manual