



Washer extractor W5180S

Features and benefits

- **Compass Pro® microprocessor offers:**
 - Large display and one control knob for easy program selection
 - Language selection
 - Quick selection and option buttons for the most frequently used wash programs and options
 - Wash program packages optimized on *Economy, Performance and Time*. (Available on general programs)
- **AS – Automatic Savings:**
 - The machine weighs the linen and adjusts the amount of water and energy according to the load. This leads to considerable savings in case the machine is not fully loaded. (Available on general programs)
- Extremely low water and energy consumption – see table below
- Four compartment detergent box for manual dosing of powder or liquid detergent
- High extraction force for efficient dewatering
- Door with gasket and strong hinges built for heavy duty operation
- Stainless and galvanized steel in all vital parts for high degree of rust protection
- SuperBalance guarantees the correct extraction force



Images shown are a representation of the product only and variations may occur.

Main options

- Automatic liquid detergent supply (optional I/O board)
- Stainless steel front panel
- Connection to booking- /payment- system or coin meter
- Drain pump

Main specifications				W5180S			
Max. capacity	filling factor 1:9	kg/lb		20/45			
Drum,	volume	litre		180			
	diameter	ø mm		650			
Extraction		rpm		742			
G-factor				200			
Standard heating alternatives		electricity	kW	13.0			
		steam		x			
		non-heated		x			
Consumption data "Normal 60°C"				EI		Steam***	
Economy*				Full load, 20 kg	Half load**, 10 kg	Full load, 20 kg	Half load**, 10 kg
Total time		min	51	47	51	47	
Water consumption (cold+hot)		litre	128+21	65+17	128+21	65+17	
Energy consumption (motor/heating****)		kWh	0.3/2.9	0.25/1.8	0.3/-	0.25/-	
Steam consumption		kg	-	-	4.4	2.7	
Residual moisture		%	58	66	58	66	
<small>* Water temperature 15°C cold water and 65°C hot water. ** Programs with AS. *** Depending on steam pressure. **** Includes hot water heating.</small>							



Electrical connections					
Heating alternative	Main voltage		Heating power kW	Total power kW	Recommended fuse A
		Hz			
Electric heated	220-240V 1 ~	50/60	13.0	13.5	63
	220-240V 3 ~	50/60	13.0	13.5	35
	380-415V 3N ~	50/60	13.0	13.5	25
	440V 3 ~	60	13.0	13.5	20
	480V 3 ~	60	13.0	13.5	20
Steam or Non heated	220-480V 1/3 ~	50/60	-	1.0	10

Water and steam connection		W5180S
Water valves	DN	20
Water pressure	kPa	200-600
Capacity at 300 kPa	l/min	30
Drain valve	ø mm	75
Draining capacity	l/min	170
Steam valve	DN	15
Steam pressure	kPa	300-600
Liquid detergent supplies		5

Floor requirements		
Frequency of the dynamic force	Hz	12.4
Floor load at max extraction	kN	3.0 ± 4.8

Sound levels		
Sound power level (IEC 60704-2-4)		
wash	dB(A)	70
extraction	dB(A)	74

Heat emission		
% of installed power, max		5

Shipping data		
Weight	net, kg	228
	crated, kg	240
Shipping volume	m ³	1.18

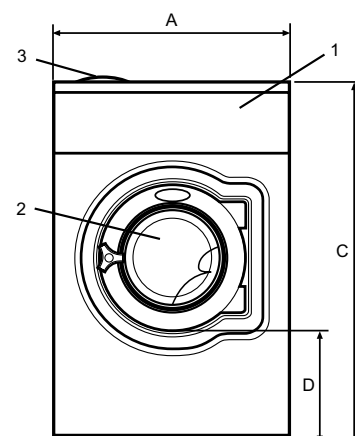
Accessories		
Steel base		x
Hose kits for water or steam		x
Fluff collector		x

Dimensions in mm		
A Width		750
B Depth		880
C Height		1333
D		435
E		915
F		1035
G		45
H		1245
I		295
J		210
K		1225
L		1040
M		325
N		100
O		225
P		130

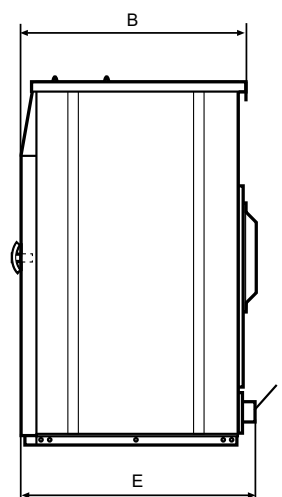
1 Operating panel	6 Water re-use
2 Door opening ø 395 mm	7 Drain
3 Detergent box	8 Liquid detergent supply
4 Cold water	9 Electrical connection
5 Hot water	10 Steam connection

Front and side panels in light grey and blue (RAL 260 70 05, 250 60 30)

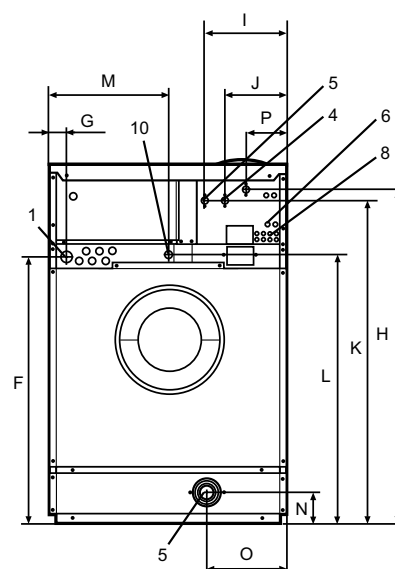
* Other voltages available, see installation manual



Front



Side view



Rear