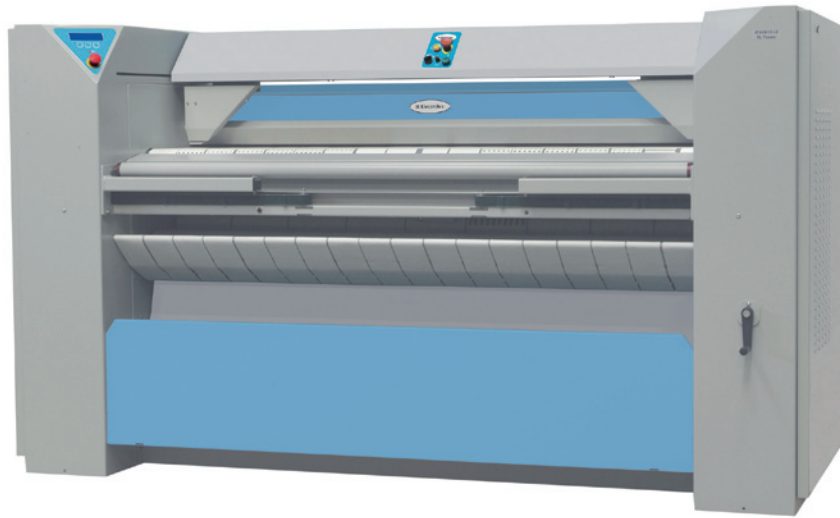


# Industrial Ironers

IC44819, IC44821, IC44825, IC44828, IC44832 FR/FLF



## Features and benefits

- Fully electric feeder requiring no compressed air – regular, silent and smooth work
- Electro-mechanical clamps, automatic linen detection, smooth closing and holding of the linen, smooth opening and feeding of item (compensation of the elasticity of the fibres)
- Removable feeder for installation in tiny spaces
- Easy-to-use electronic control panel, RABC\* compatible
- DIAMMS\*\* system; Automatic speed adjustment with moisture sensors to ensure a perfect result
- Pressure roll with tightener springs, prevents wrinkling
- Durable ironing belts made of Nomex® which can withstand temperatures above 200°C
- Finger guard protection provides additional security for operators
- Nickel-plated cylinder prevents rust and improves life-time
- Maintenance free ceramic gas burner increases reliability for gas heated ironers
- Air circulation device on electric heated and stainless steel cylinder machines for an homogenous temperature and an increased production
- Return feed, can be installed close to a wall for maximum space utilisation
- Labour saving automatic feeding and length-folding device (FLF model)
- Automatic feeding and rear delivery (FR model)
- Easy access to all parts for easy maintenance

## Main options

- Multi-layer cylinder Dubixium™ for increased production on electric and gas heated machines
- CMIS\*\*\* connection for traceability according to European Standard EN14065

\* Risk Analysis and Biocontamination Control – EN 14065

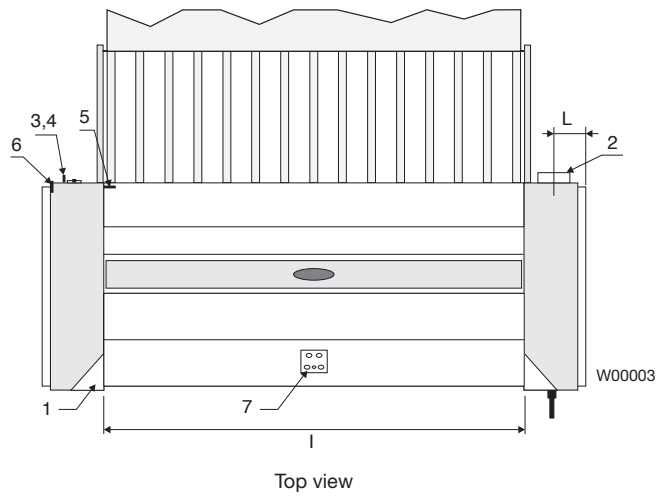
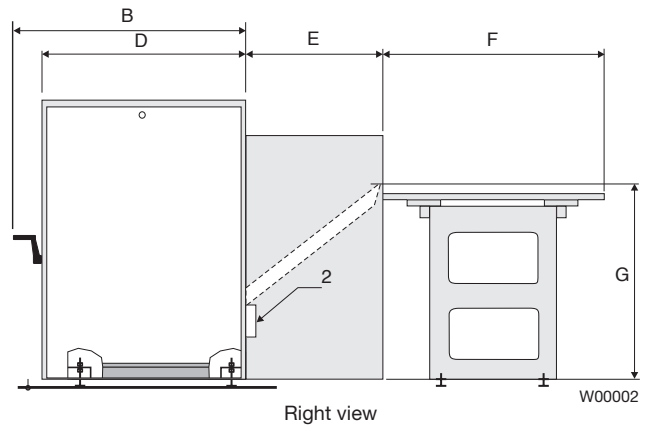
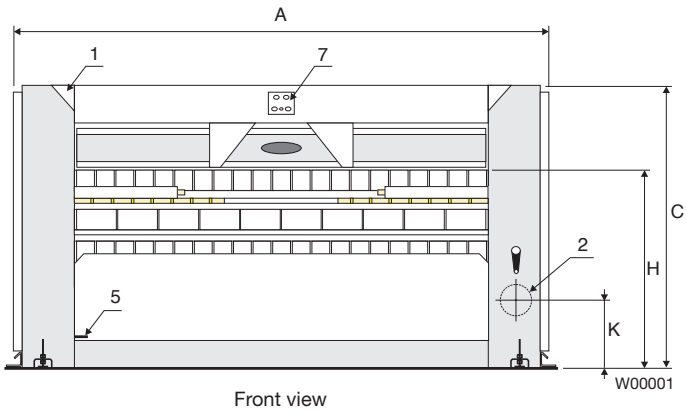
\*\* Direct Ironer Advanced Moisture Management System

\*\*\* Certus Management Information System

Main specifications		IC44819	IC44821	IC44825	IC44828	IC44832
Capacity*, max. water evaporation**	l/h	38/57/35	40/63/37	48/75/46	51/81/51	59/93/59
Cylinder, diameter (el, gas/steam)	mm	479/457	479/457	479/457	479/457	479/457
	length	1910	2120	2540	2750	3170
Ironing speed	m/min	1.5-9	1.5-9	1.5-9	1.5-9	1.5-9
Heating, electricity	kW	33	37	44	47	54
	steam (900 kPa)	kg/h	83	92	110	123
	gas	Btu/h (kW)	133100(39)	150100(44)	177400(52)	191100(56)
* 50% residual moisture content cotton 180g/m <sup>2</sup> and 100% cylinder use (ISO 9398-1).						
** El/steam/gas.						

Electrical connections*			IC44819	IC44821	IC44825	IC44828	IC44832
Heating Voltage							
EI	400-415V 3AC 50/60 Hz	kW(A)	35 (63)	38 (63)	45 (80)	49 (80)	56 (100)
Gas, steam	400-415V 3AC 50/60 Hz	kW(A)	2 (16)	2 (16)	2 (16)	2 (16)	2 (16)
<b>Steam, gas and air connections</b>							
Steam	DN		20	20	20	20	20
Rec. steam pressure	kPa		900	900	900	900	900
Condensate	DN		10	10	10	10	10
Gas	DN		20	20	20	20	20
Gas pressure,							
natural gas (G20/G25)	Pa		2000/2500	2000/2500	2000/2500	2000/2500	2000/2500
propane (G31)	Pa		3700/5000	3700/5000	3700/5000	3700/5000	3700/5000
Air outlet	ø mm		160	160	160	160	160
Evacuated air	m <sup>3</sup> /h		580	590	610	640	650
Pressure drop	max. Pa		200	200	200	200	200
<b>Sound levels</b>							
Airborne sound level	dB(A)		73	73	73	73	73
<b>Heat emission</b>							
% of installed power, max.			3	3	3	3	3
<b>Shipping data, (FR model)</b>							
	net, kg		1080	1130	1220	1300	1390
	crated, kg		1380	1430	1520	1600	1690
Shipping volume, FR model	m <sup>3</sup>		5.8	6.2	7	7.4	8.2
<b>Dimensions in mm</b>							
<b>A</b>	Width		2575	2785	3205	3415	3835
<b>B</b>	Depth		1280	1280	1280	1280	1280
<b>C</b>	Height		1460	1460	1460	1460	1460
<b>D</b>			1160	1160	1160	1160	1160
<b>E</b>	FR model only		670	670	670	670	670
<b>F</b>	FR model only		800	800	800	800	800
<b>G</b>	FR model only		840	840	840	840	840
<b>H</b>			1050	1050	1050	1050	1050
<b>I</b>			1910	2120	2540	2750	3170
<b>K</b>			355	355	355	355	355
<b>L</b>			190	190	190	190	190
<b>1</b> Control panel <b>2</b> Exhaust connection <b>3</b> Steam connection <b>4</b> Condensate connection <b>5</b> Electrical connection <b>6</b> Gas connection <b>7</b> Feeder control panel							

\* Other voltages available, see installation manual.





[www.electrolux.com/professional](http://www.electrolux.com/professional)

Share more of our thinking at [www.electrolux.com](http://www.electrolux.com)

Art. No. 435918711/04.07.04  
We reserve the right to alter specifications without notice.